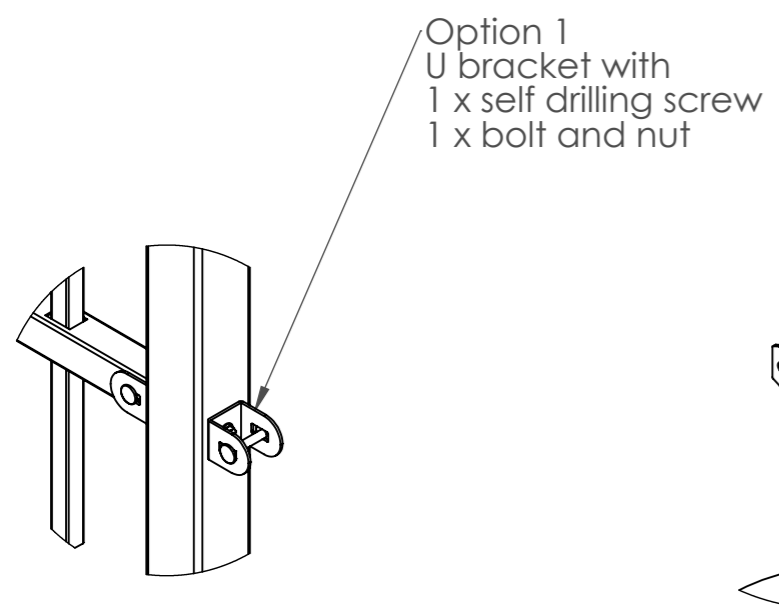
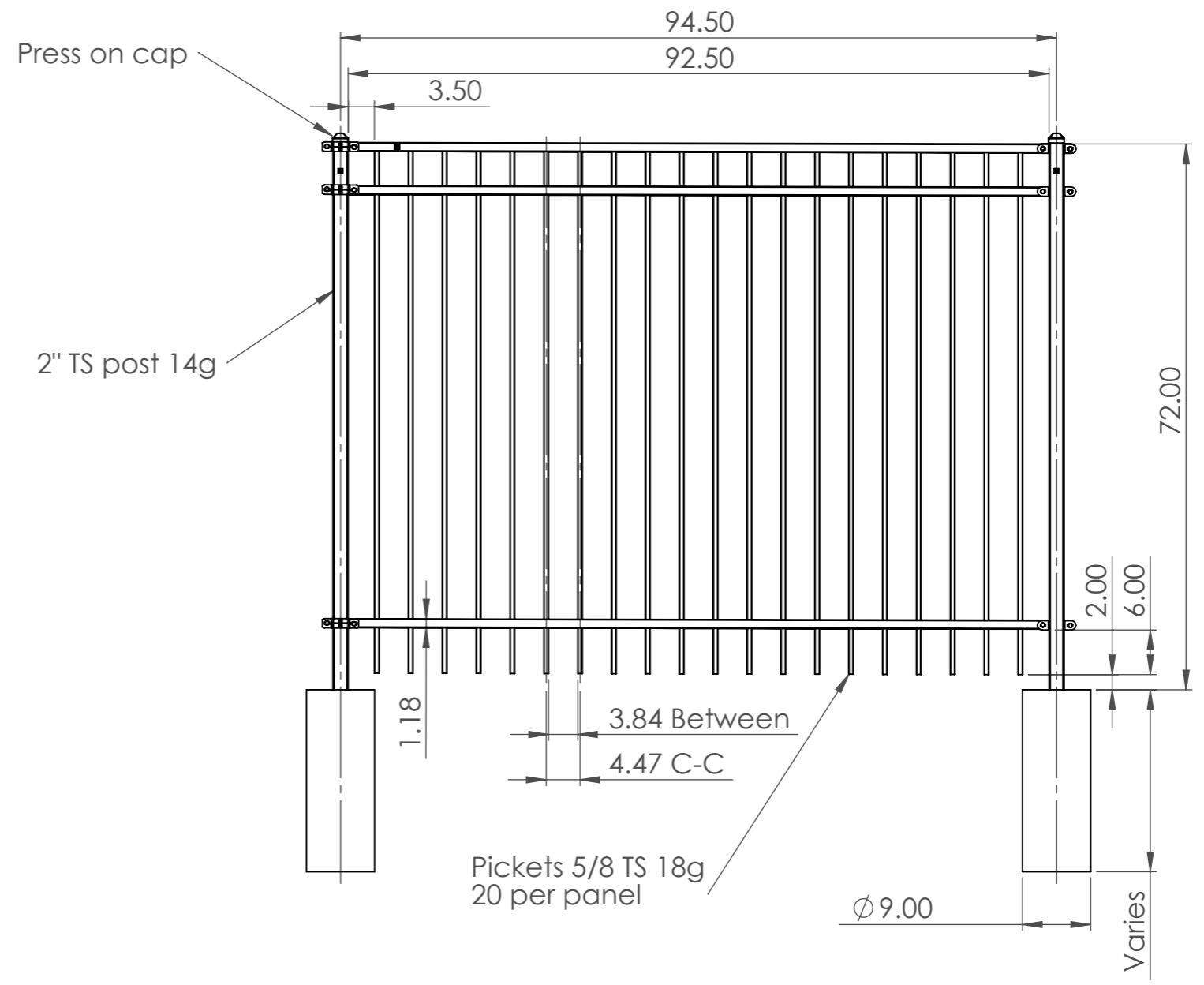
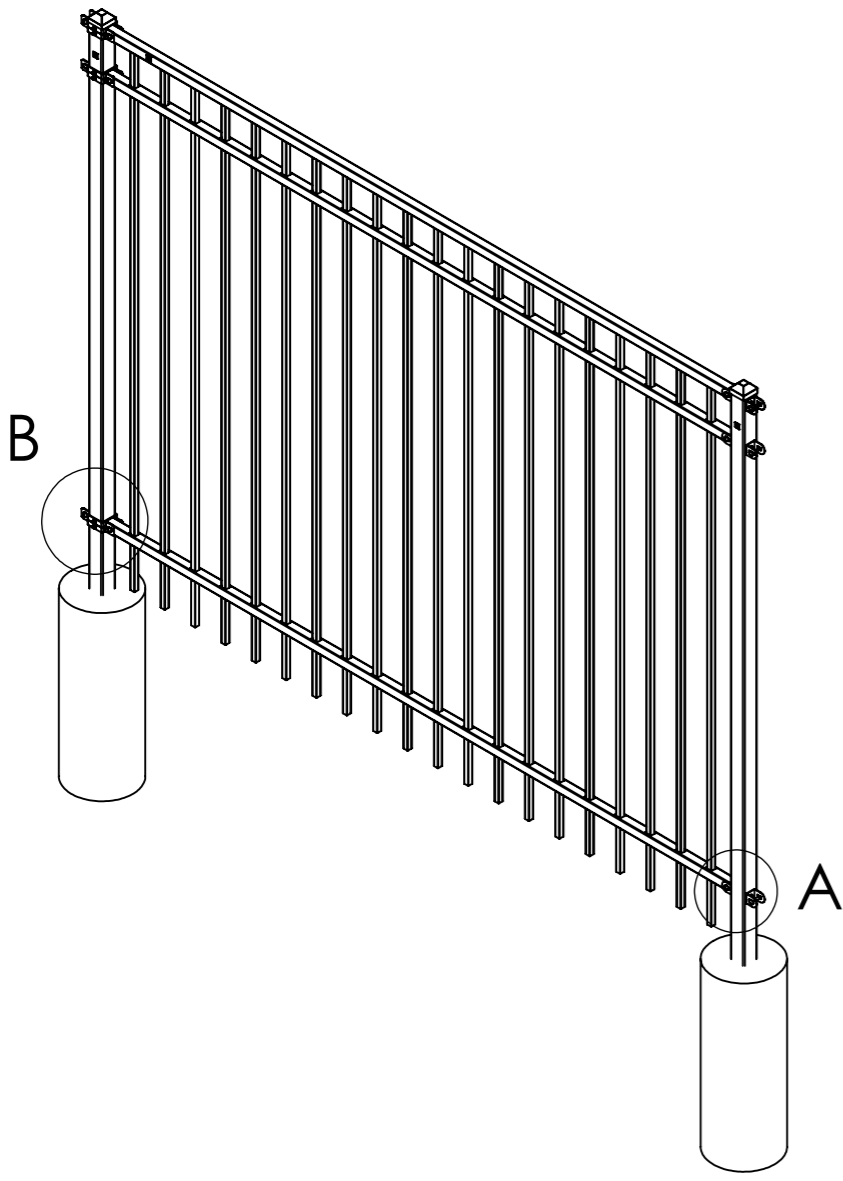
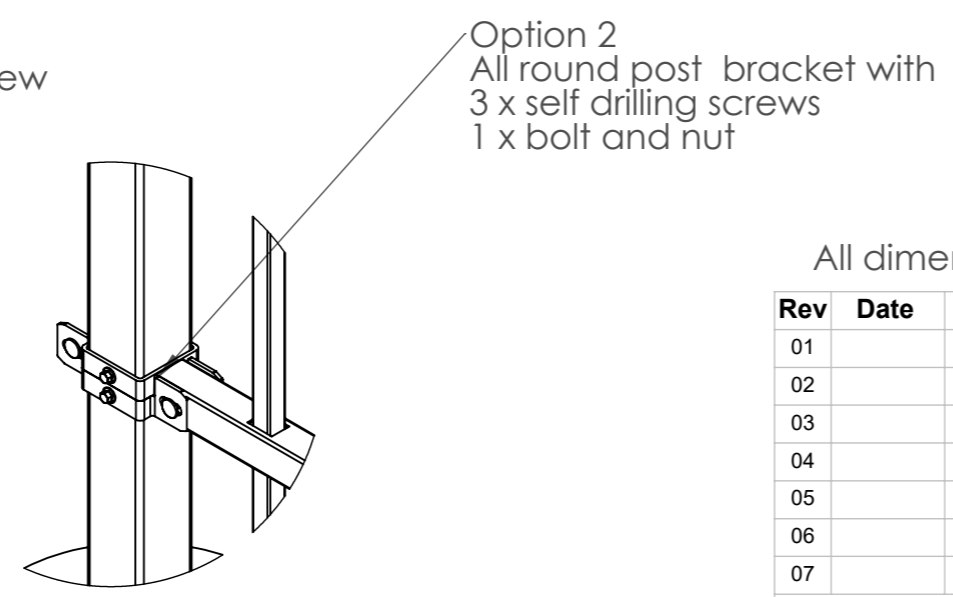


A B C D E F G H

1
2
3
4
5
6



DETAIL A
SCALE 1 : 5



DETAIL B
SCALE 1 : 5

All dimensions are in inches

Rev	Date	Changed	By	Material	---	Spec
01				Mass	160.05 Kg	
02						TRV-P-RL-306
03						GA Installation Drawing
04						
05						
06				Status		Designer
07				Status by		Date
				Free form- and placetolerances conform ISO 2768 m	DIN A3	A000000210
					Scale 1:20	



THIS DRAWING AND THE RELATED INFORMATION IS AND REMAINS THE EXCLUSIVE PROPERTY OF BETAFENCE WITHOUT THE PRIOR WRITTEN CONSENT OF BETAFENCE. THIS DRAWING AND THE RELATED INFORMATION MAY NEITHER BE COPIED OR REPRODUCED, NOR COMMUNICATED IN ANY WAY TO A THIRD PARTY, NOR USED FOR MANUFACTURING OUTSIDE BETAFENCE EACH INFRINGEMENT OF THESE INTELLECTUAL PROPERTY RIGHTS OF BETAFENCE SHALL GIVE RISE TO LEGAL PROCEEDINGS.

A B C D E F G H