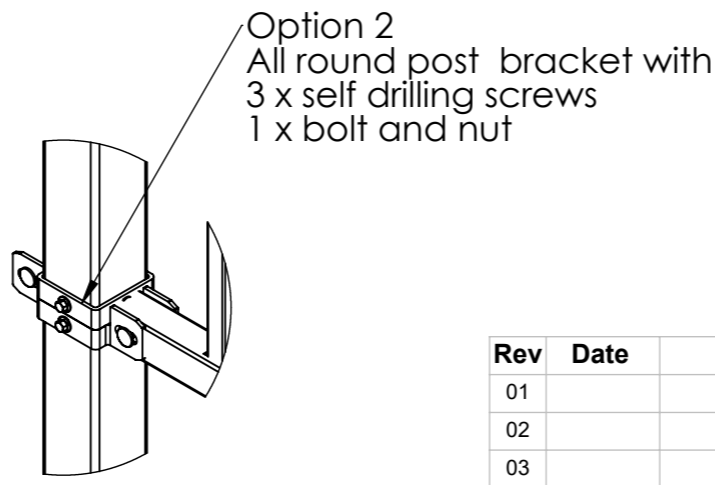


DETAIL B
SCALE 1 : 5



DETAIL A
SCALE 1 : 5

Rev	Date	Changed	By	Material	Spec
01				Mass	153.63 Kg
02					TRV-P-RS-305
03					GA Installation Drawing
04					
05					
06				Status	Under Editing
07				Status by	Designer
					Stefanos Synodinos
					Date
					2020-08-10

Free form- and placetolerances conform ISO 2768 m	DIN A3	
	Scale 1:20	

THIS DRAWING AND THE RELATED INFORMATION IS AND REMAINS THE EXCLUSIVE PROPERTY OF BETAFENCE WITHOUT THE PRIOR WRITTEN CONSENT OF BETAFENCE. THIS DRAWING AND THE RELATED INFORMATION MAY NEITHER BE COPIED OR REPRODUCED, NOR COMMUNICATED IN ANY WAY TO A THIRD PARTY, NOR USED FOR MANUFACTURING OUTSIDE BETAFENCE EACH INFRINGEMENT OF THESE INTELLECTUAL PROPERTY RIGHTS OF BETAFENCE SHALL GIVE RISE TO LEGAL PROCEEDINGS.