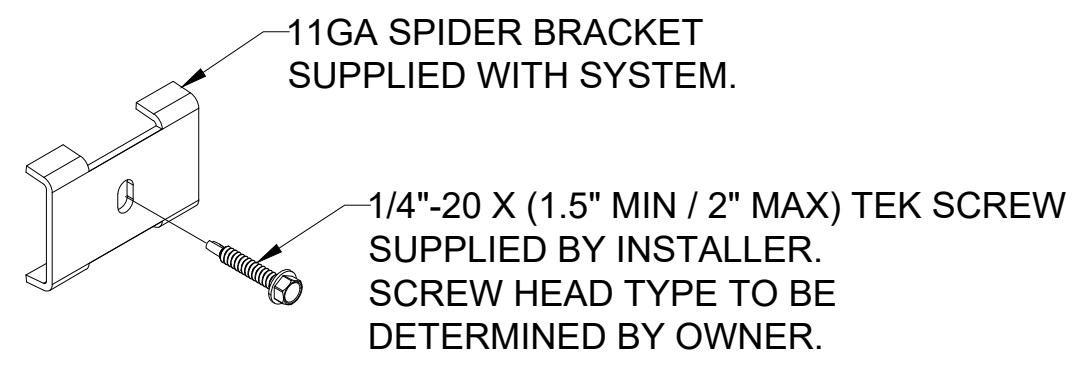
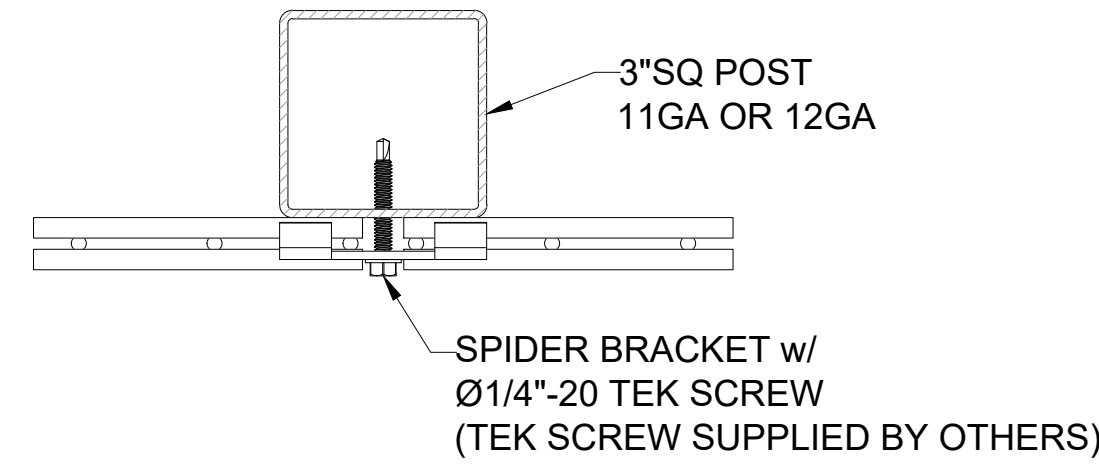


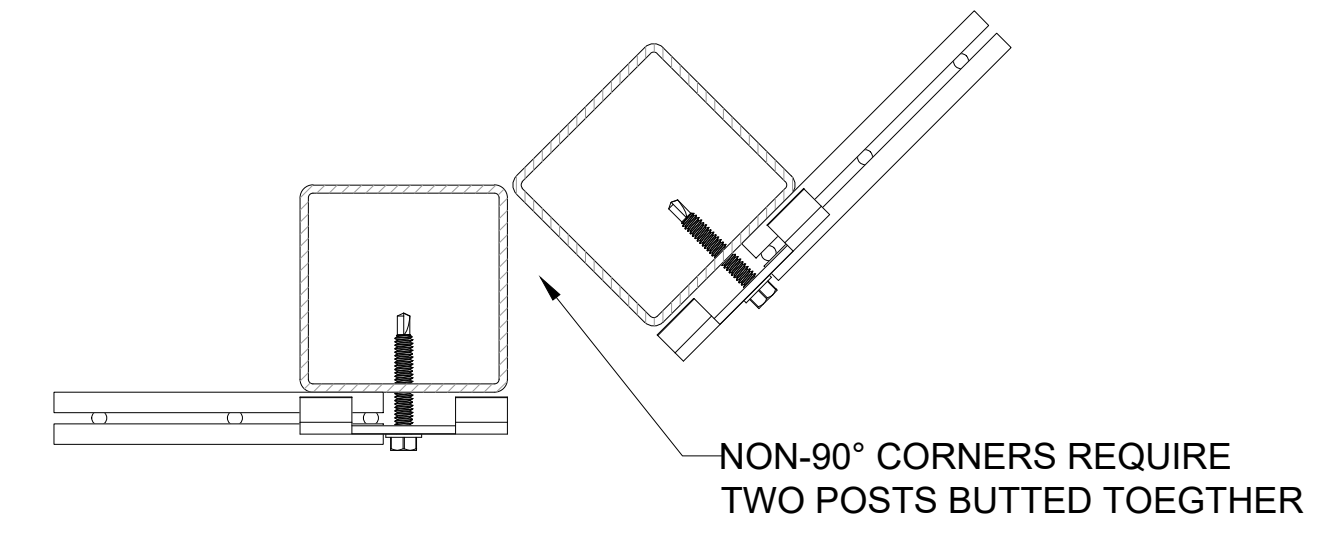
4 ATTACHMENT DETAIL (ISO)
SCALE: NTS



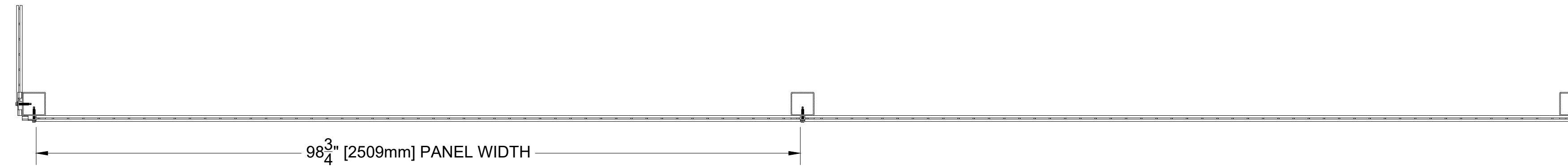
5 SPIDER BRACKET DETAIL
SCALE: NTS



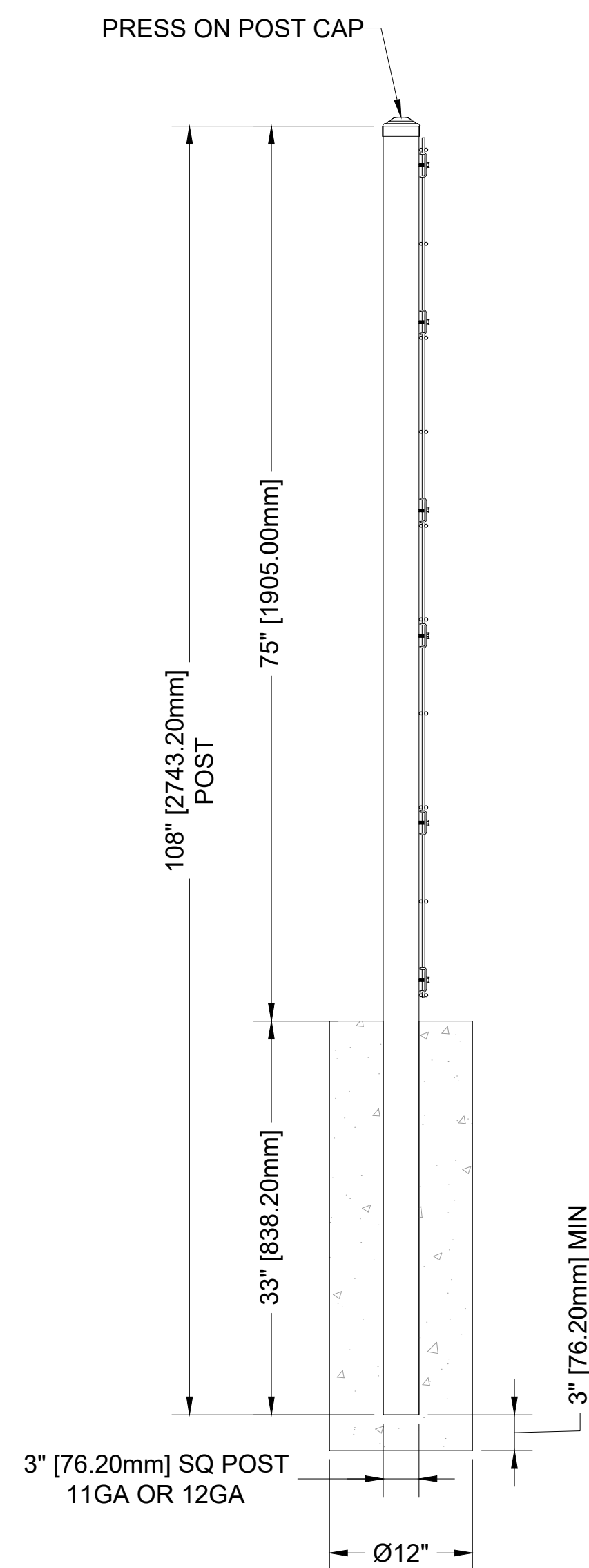
B SECTION AT BRACKET
SCALE: NTS



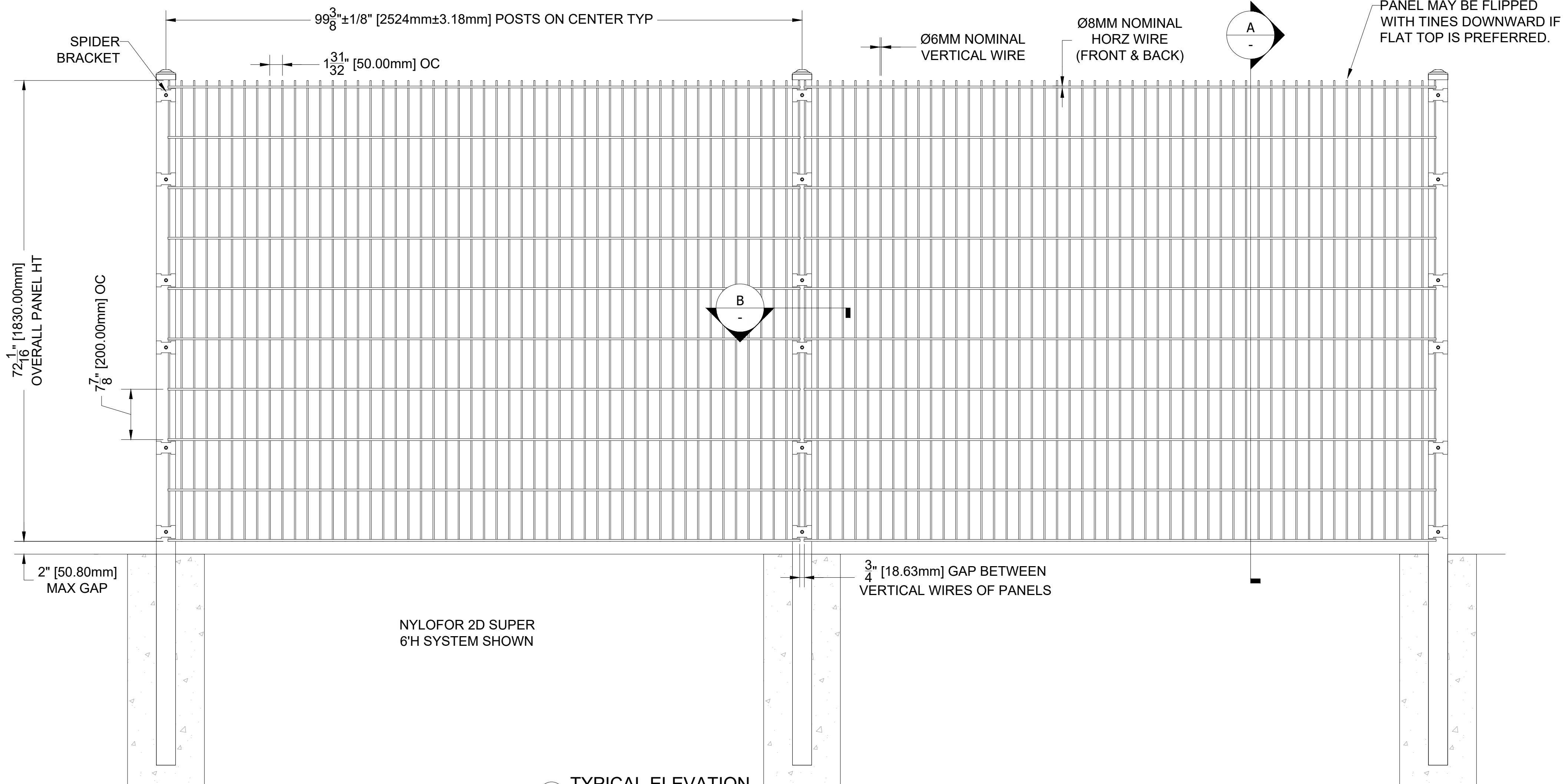
3 NON-90° CORNER DETAIL
SCALE: NTS



2 PLAN
SCALE: NTS



A SECTION
SCALE: NTS



1 TYPICAL ELEVATION
SCALE: NTS

MINIMUM PIER SIZE SHOWN FOR REFERENCE ONLY.
CONSULT LOCAL BUILDING CODES PRIOR TO INSTALLING.

NOTICE: ALL INTELLECTUAL PROPERTY (INCLUDING, WITHOUT LIMITATION, ALL COPYRIGHT AND DESIGN RIGHTS) AND PROPRIETARY RIGHTS TO ALL INFORMATION AND/OR TECHNICAL DATA CONTAINED ON THIS DRAWING BELONGS TO GUARDIAN USA, LLC. THE DRAWING MUST BE MAINTAINED BY YOU, THE RECIPIENT, IN STRICT CONFIDENCE. THIS DRAWING IS NOT TO BE DISCLOSED OR REPRODUCED, IN WHOLE OR IN PART, DIRECTLY OR INDIRECTLY, IN ANY MANNER WHATSOEVER, WITHOUT THE EXPRESS WRITTEN CONSENT OF GUARDIAN USA, LLC AND IT SHALL BE RETURNED UPON REQUEST.

BETAFENCE
a PRÆSIDIA D brand
Main: 972-878-7000 Fax: 214-887-4552
3309 S. I-45 ENNIS, TX 75119
www.Guardian.com

REV	DATE	DESCRIPTION	BY
-	-	-	-
-	-	-	-
-	-	-	-
-	-	-	-
-	-	-	-

PROJECT	TYPICAL
CUSTOMER	CLIENT
QUOTE#	HS# HSXXXX
DATE	DRAFTER REVIEWER
08-MAR-23	TUR
FINISH	
POWDERCOAT BLACK	
MATERIAL SPECIFICATIONS	
A&B STEEL: ALL PLATE ANGLE & CHANNEL	
A500 GRADE B; ALL TUBE STEEL	
CONCRETE: PER LOCAL CODES	
ZINC COATING WEIGHT: 0.60 OZ/FT ²	

SHEET NO.
NYL2DS-6

DISCLAIMER: DRAWINGS MAY NOT INCLUDE FULL PRODUCT DETAILS AND CAN CHANGE WITHOUT NOTICE.