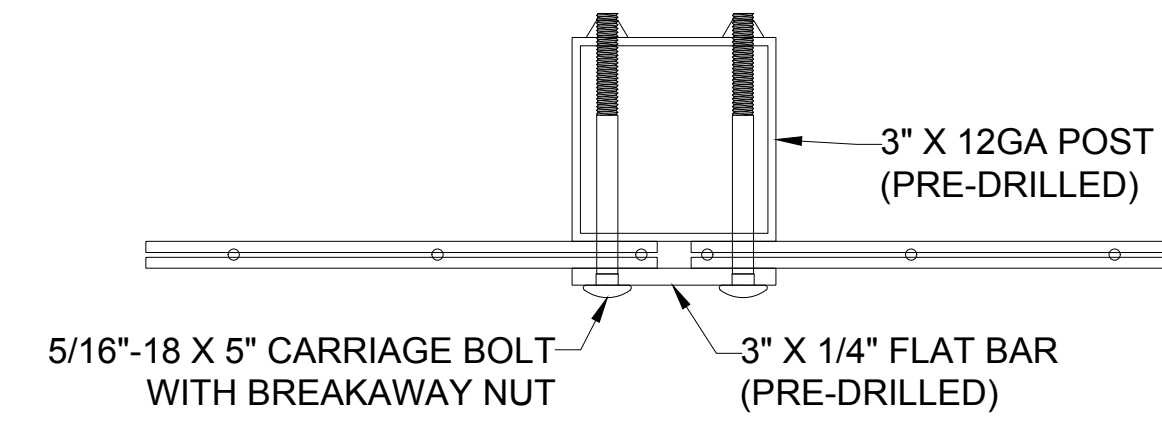
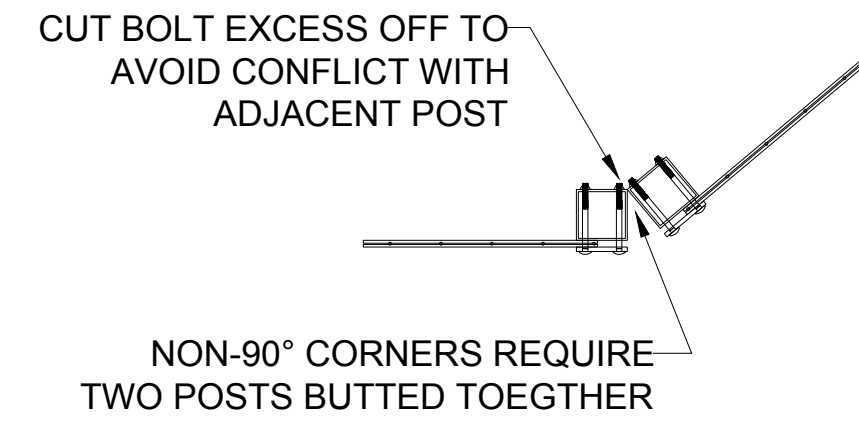


**NOTICE: ALL INTELLECTUAL PROPERTY (INCLUDING, WITHOUT LIMITATION, ALL COPYRIGHT AND DESIGN RIGHTS) AND PROPRIETARY RIGHTS TO ALL INFORMATION AND/OR TECHNICAL DATA CONTAINED ON THIS DRAWING BELONGS TO BETAFENCE. THE DRAWING MUST BE MAINTAINED BY YOU, THE RECIPIENT, IN STRICT CONFIDENCE. THIS DRAWING IS NOT TO BE DISCLOSED OR REPRODUCED, IN WHOLE OR IN PART, DIRECTLY OR INDIRECTLY, IN ANY MANNER WHATSOEVER, WITHOUT THE EXPRESS WRITTEN CONSENT OF BETAFENCE AND IT SHALL BE RETURNED UPON REQUEST.**

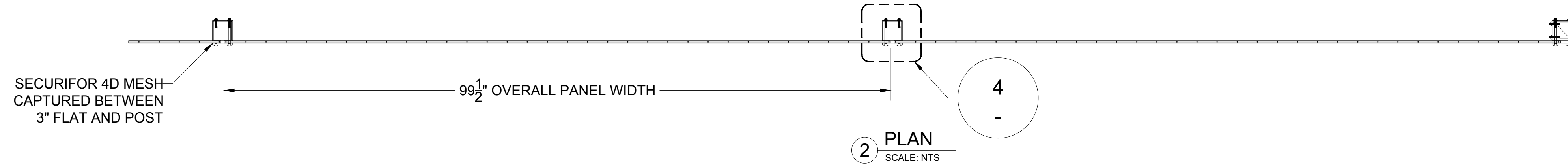


**4** DETAIL AT POST  
SCALE: NTS

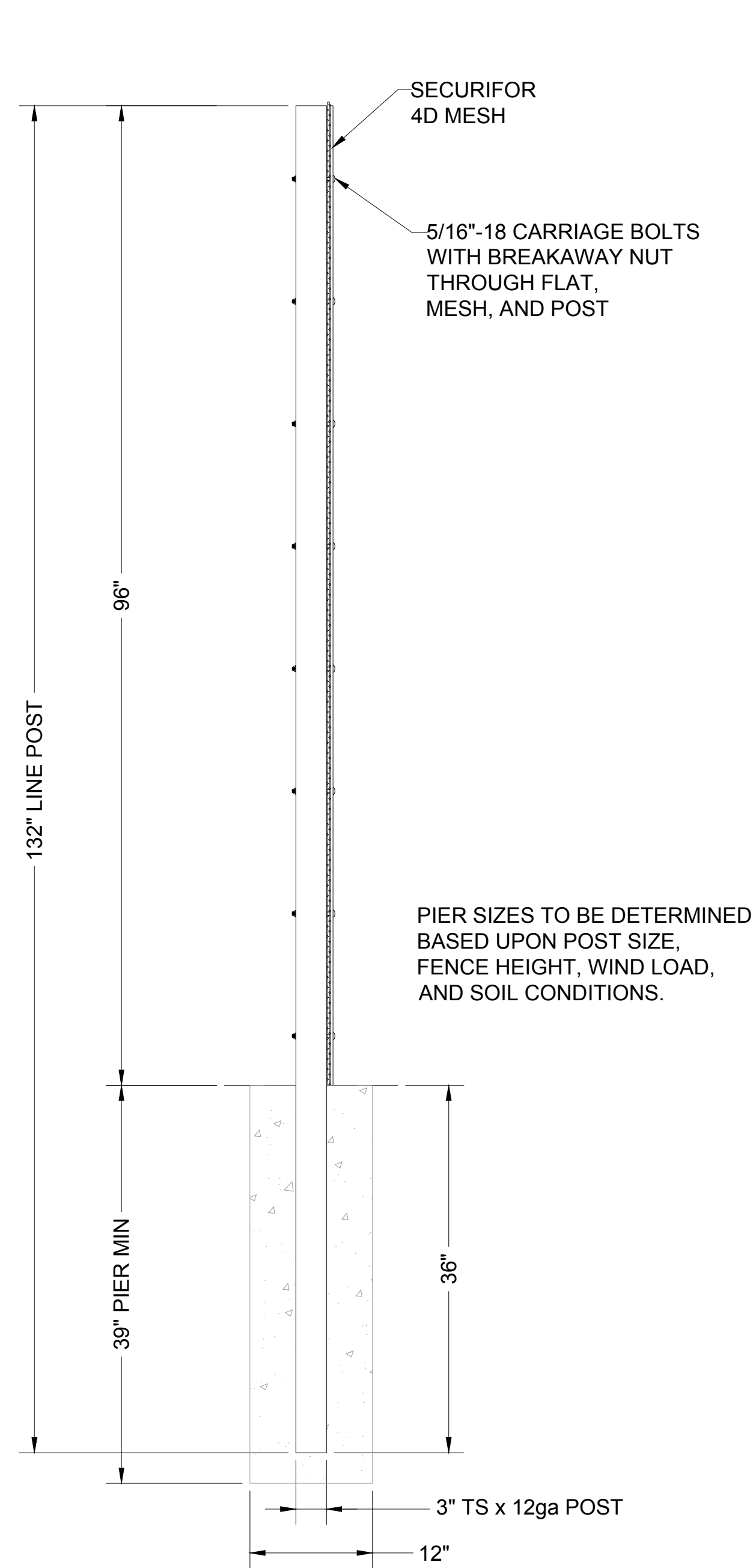


NON-90° CORNERS REQUIRE TWO POSTS BUTTED TOGETHER

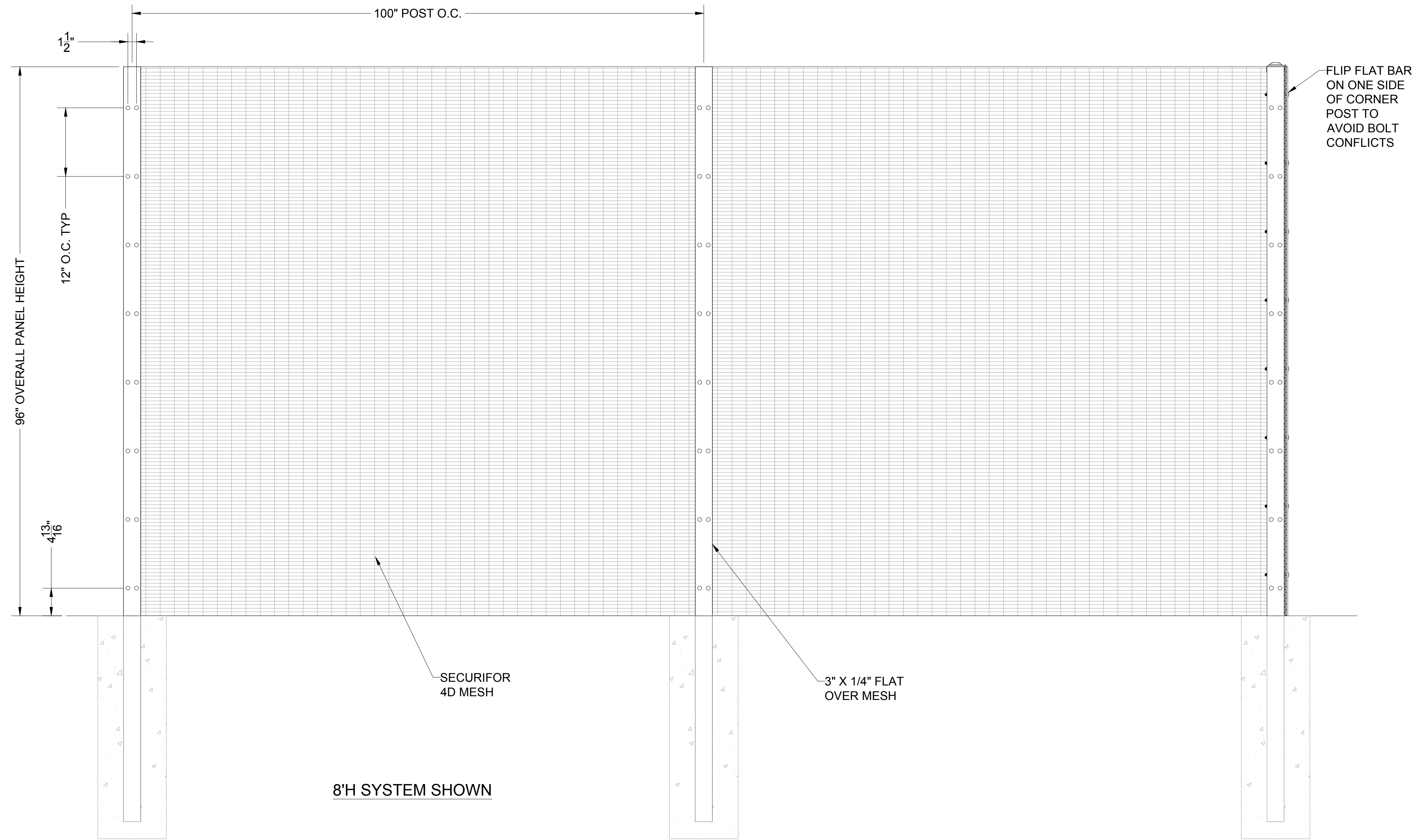
**5** NON-90 CORNER DETAIL  
SCALE: NTS



**2** PLAN  
SCALE: NTS



**3** SECTION  
SCALE: NTS



8'H SYSTEM SHOWN

**1** SECURIFOR 4D TYPICAL ELEVATION  
SCALE: NTS

**BETAFENCE**  
Main: 972-978-7000 Fax: 214-887-4552  
3309 S. I-45 ENNIS, TX 75119

REV	DATE	DESCRIPTION	BY

<b>SECURIFOR 4D TYPICAL ELEVATION</b>		MATERIAL SPECIFICATIONS	
PROJECT	TYPICAL	FINISH	HDG OR POWDERCOATED
CUSTOMER CLIENT	HS# HSXXXX	FINISH	A36 STEEL- ALL PLATE, ANGLE & CHANNEL A501 STEEL- ALL TUBES, SQUARE COMMERCIAL GALV. TUBE SQUARE U.S.N.- ALL PRE-GALV. MAT'L. A653 W/MIN. ZINC COATINGS WEIGHT 0.80/0.2FT
QUOTE#		DRAFTER	REVIEWER
DATE	14-DEC-18	TJR	

SHEET NO.  
**SEC4D**

DISCLAIMER: DRAWINGS MAY NOT INCLUDE FULL PRODUCT DETAILS AND CAN CHANGE WITHOUT NOTICE.