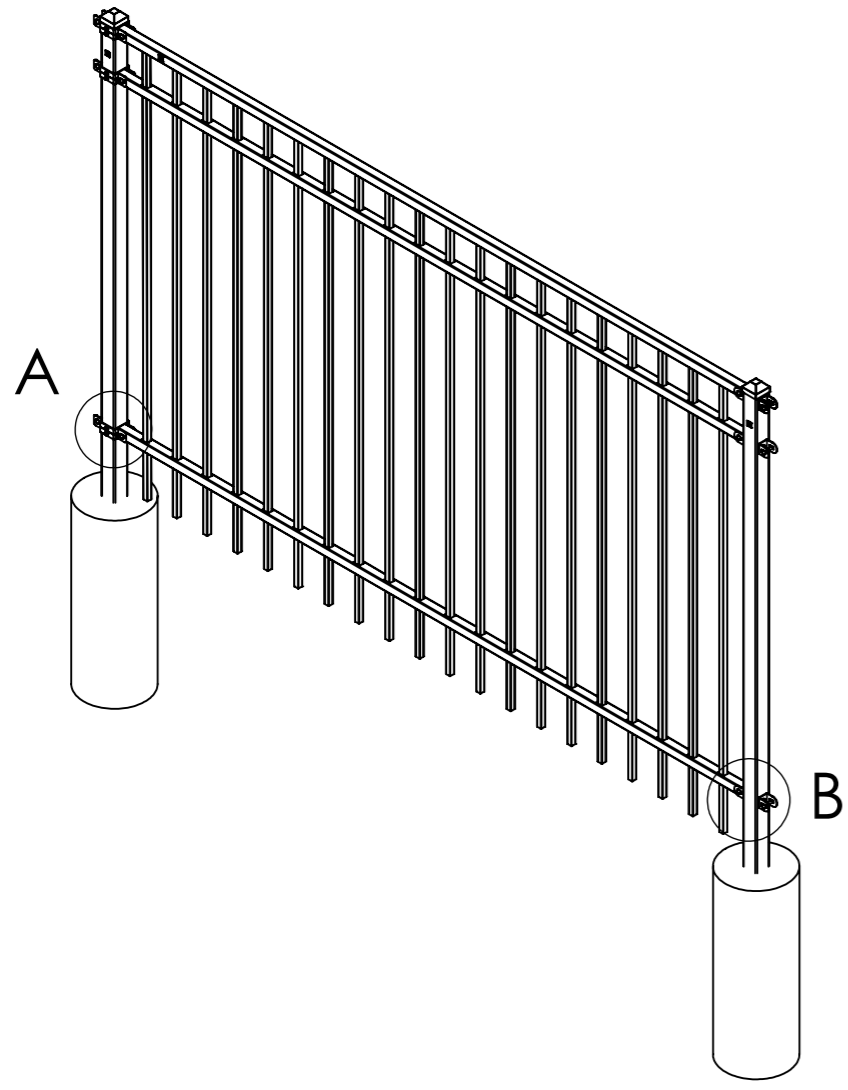


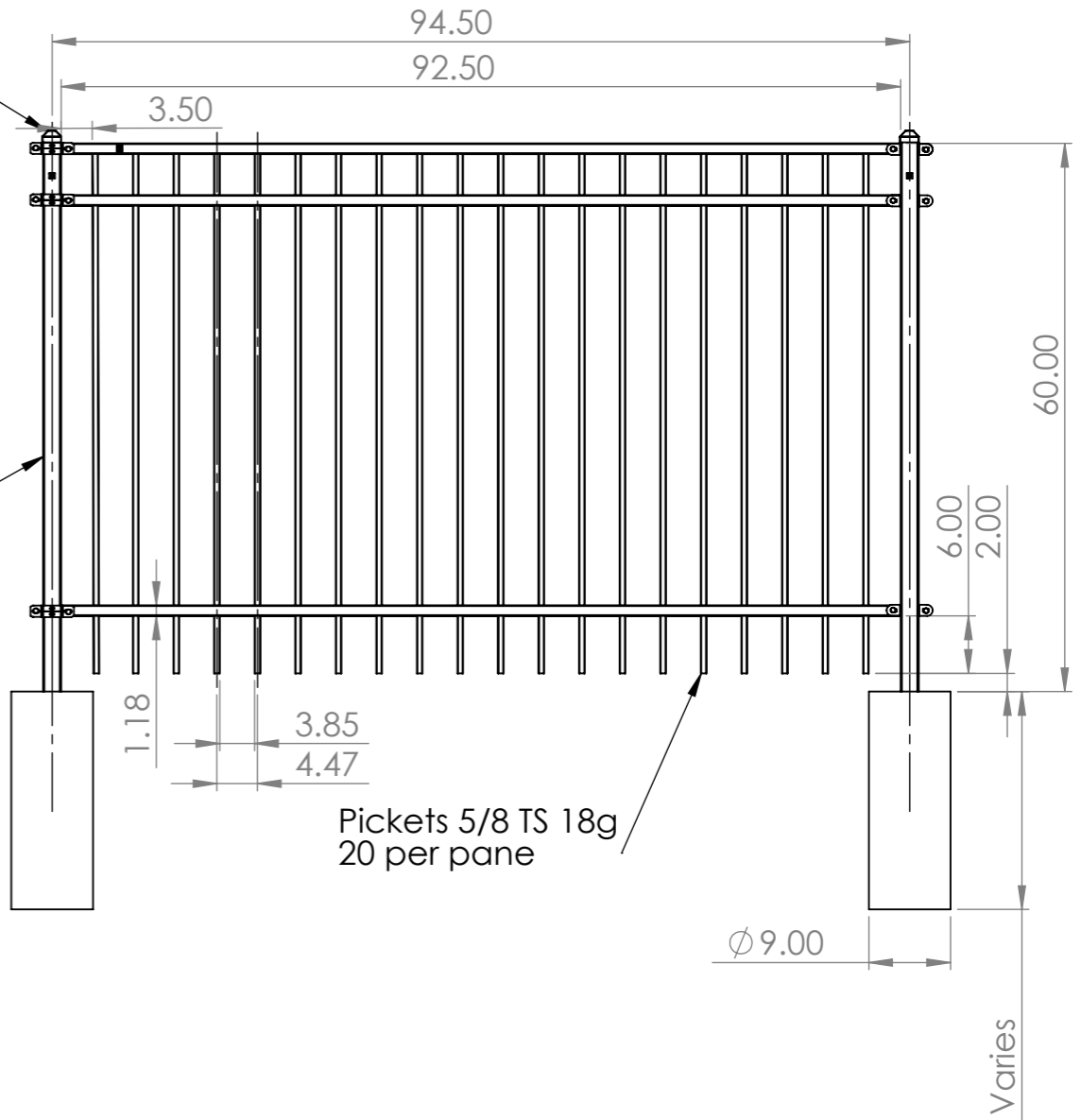
A B C D E F G H

1
2
3
4
5
6



Press on cap

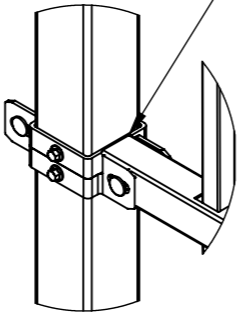
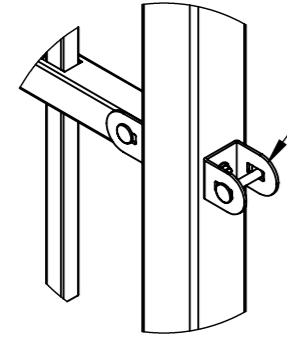
2" TS post 14g



Pickets 5/8 TS 18g
20 per pane


Option 1
U bracket with
1 x self drilling screw
1 x bolt and nut

Option 2
All round post bracket with
3 x self drilling screws
1 x bolt and nut



DETAIL B
SCALE 1 : 5

DETAIL A
SCALE 1 : 5

| Rev | Date | Changed | By | Material | --- | Spec |
|-----|------|---------|----|---|----------------------|---|
| 01 | | | | Mass | 153.81 Kg | |
| 02 | | | | | | TRV-P-RL-305 |
| 03 | | | | | | GA Installation Drawing |
| 04 | | | | | |  |
| 05 | | | | | | |
| 06 | | | | Status | | |
| 07 | | | | Status by | | Date |
| | | | | Free form- and placetolerances conform ISO 2768 m | DIN A3 Scale 1:20 | A000000239 |

THIS DRAWING AND THE RELATED INFORMATION IS AND REMAINS THE EXCLUSIVE PROPERTY OF BETAFENCE WITHOUT THE PRIOR WRITTEN CONSENT OF BETAFENCE. THIS DRAWING AND THE RELATED INFORMATION MAY NEITHER BE COPIED OR REPRODUCED, NOR COMMUNICATED IN ANY WAY TO A THIRD PARTY, NOR USED FOR MANUFACTURING OUTSIDE BETAFENCE EACH INFRINGEMENT OF THESE INTELLECTUAL PROPERTY RIGHTS OF BETAFENCE SHALL GIVE RISE TO LEGAL PROCEEDINGS.

A B C D E F G H