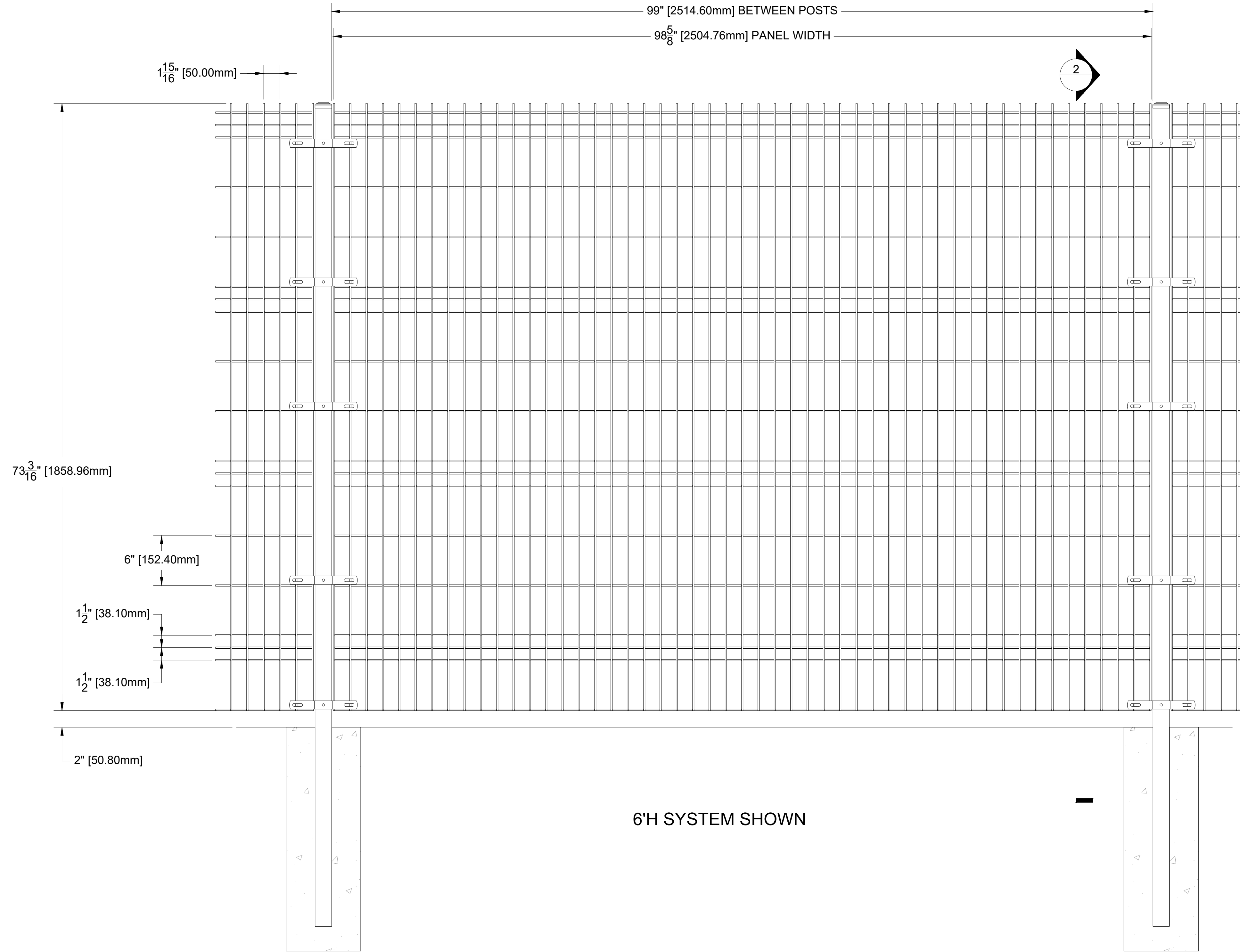
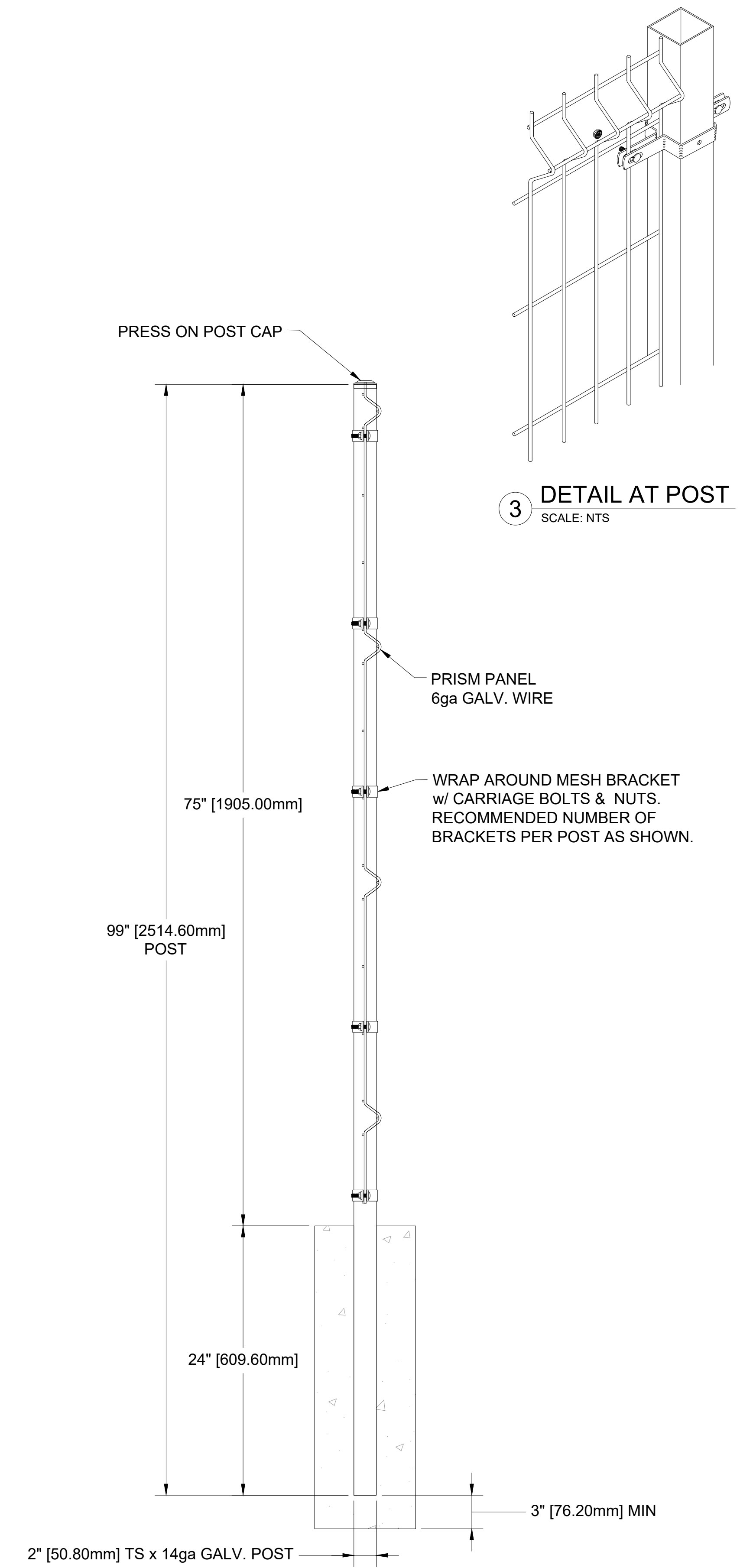


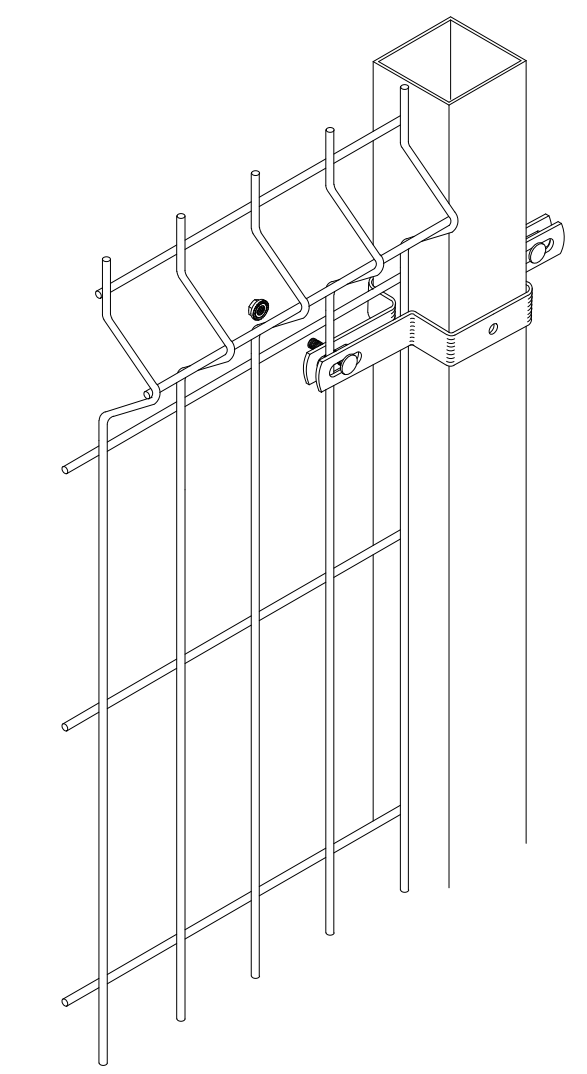
NOTICE: ALL INTELLECTUAL PROPERTY (INCLUDING, WITHOUT LIMITATION, ALL COPYRIGHT AND DESIGN RIGHTS) AND PROPRIETARY RIGHTS TO ALL INFORMATION AND/OR TECHNICAL DATA CONTAINED ON THIS DRAWING BELONGS TO GUARDIAR USA, LLC. THE DRAWING MUST BE MAINTAINED BY YOU, THE RECIPIENT, IN STRICT CONFIDENCE. THIS DRAWING IS NOT TO BE DISCLOSED OR REPRODUCED, IN WHOLE OR IN PART, DIRECTLY OR INDIRECTLY, IN ANY MANNER WHATSOEVER, WITHOUT THE EXPRESS WRITTEN CONSENT OF GUARDIAR USA, LLC AND IT SHALL BE RETURNED UPON REQUEST.



1 PRISM-6 3D  
 TYPICAL ELEVATION  
 SCALE: NTS



2 SECTION  
 SCALE: NTS



3 DETAIL AT POST  
 SCALE: NTS

**IBI BETAFENCE**  
 a PRÆSIDIA D brand  
 Main: 972-878-7000 Fax: 214-887-4552  
 3309 S. I-45 ENNIS, TX 75119  
 www.Guardiar.com

REV	DATE	DESCRIPTION	BY

<b>PRISM-6 3D 6'H          TYPICAL ELEVATION</b>		MATERIAL SPECIFICATIONS A36 STEEL: ALL PLATE, ANGLE & CHANNEL A500 GRADE B: ALL TUBE STEEL CONCRETE: PER LOCAL CODES ZINC COATING WEIGHT: 0.60 OZ/FT <sup>2</sup>	
PROJECT	TYPICAL	FINISH	HDG OR POWDERCOATED
CUSTOMER	CLIENT		
HS#	HSXXXX		
QUOTE#	----		
DATE	DRAFTER	REVIEWER	
14-DEC-18	TJR		

SHEET NO.  
**PR6-3DWA6**

DISCLAIMER: DRAWINGS MAY NOT INCLUDE FULL PRODUCT DETAILS AND CAN CHANGE WITHOUT NOTICE.