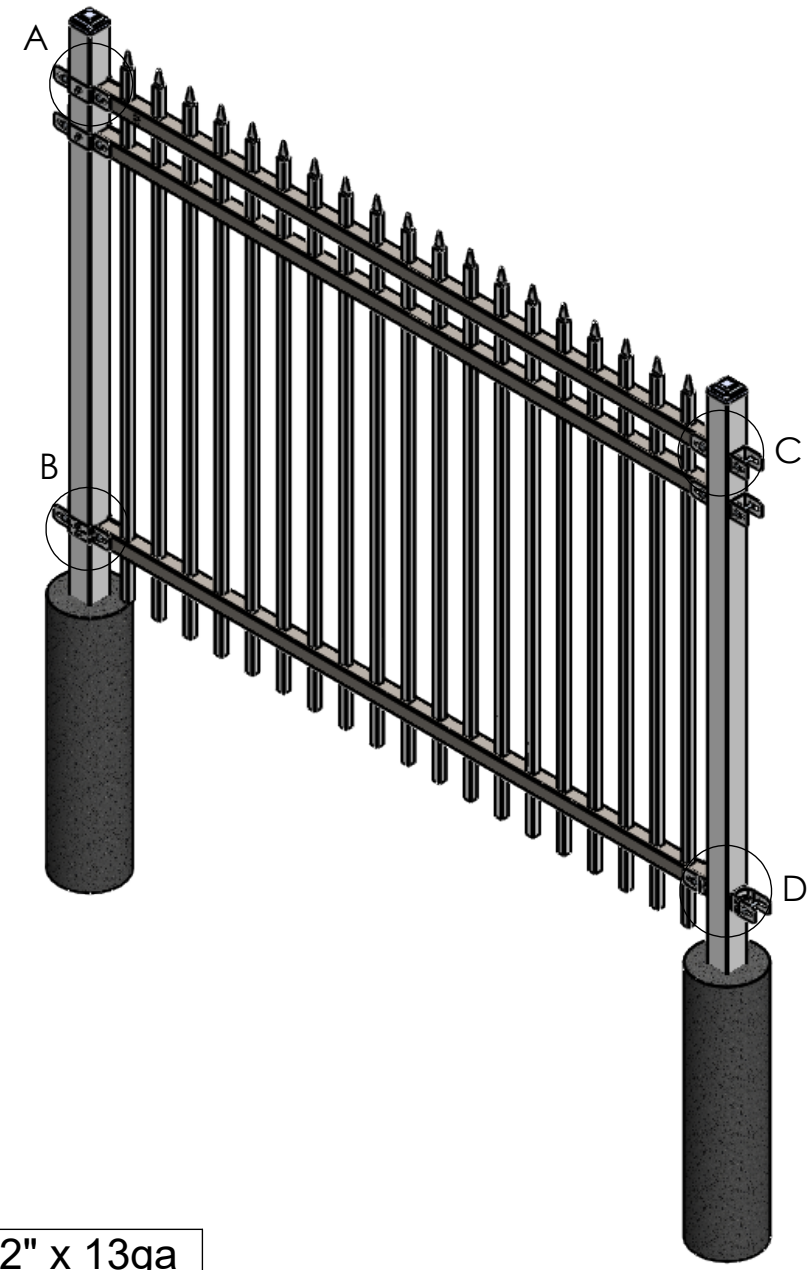
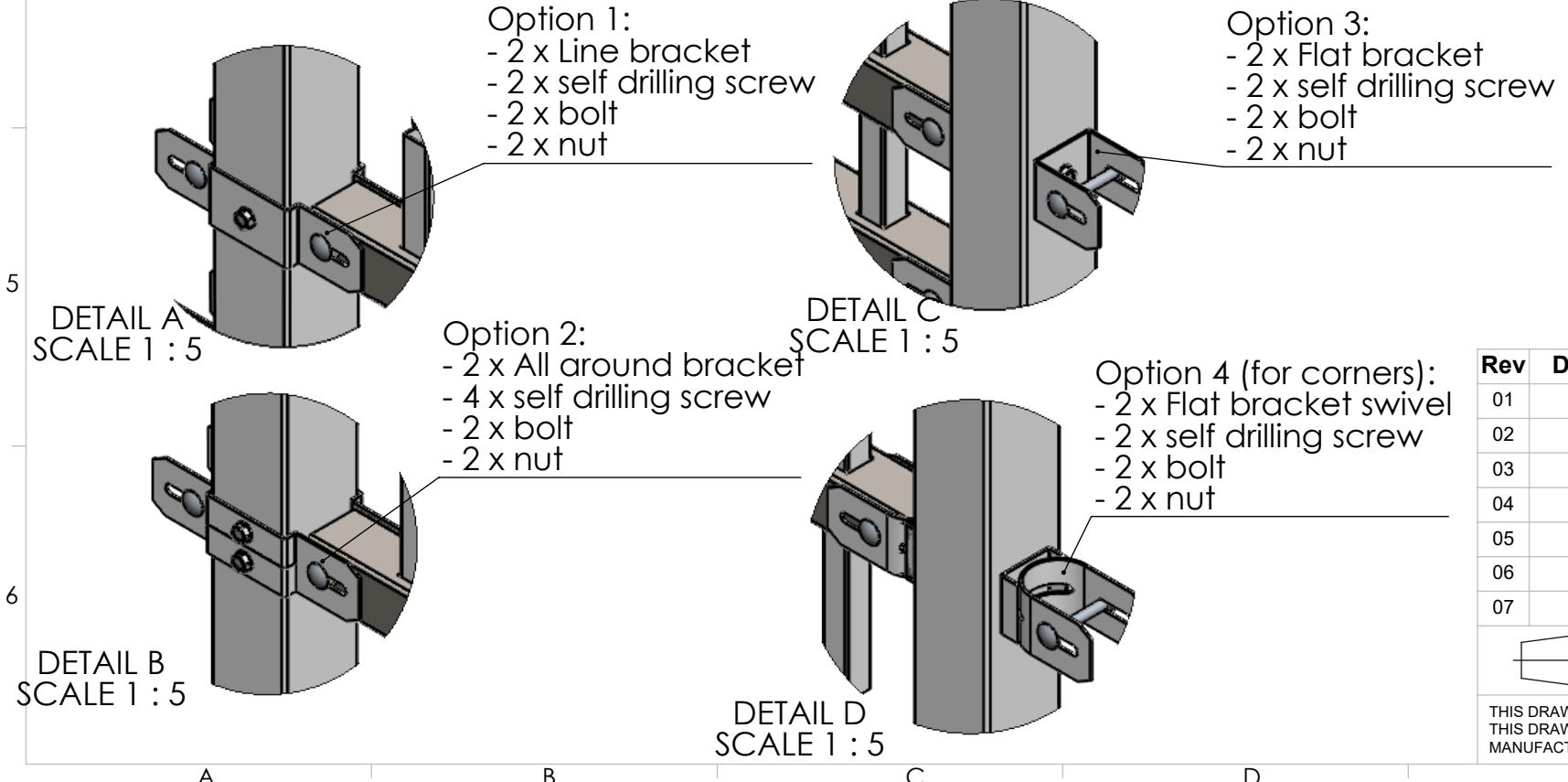


Center-center dim. X:

Post section:	Post Length:	
	9ft	11ft
2,5" x 12GA	93 1/2"	93 1/2"
2,5" x 14GA	93 1/2"	93 1/2"
3" x 12GA	94"	94"



Rail: 2" x 2" x 13ga
Picket: 1" TS x 16ga



Rev	Date	Changed	By	Material	Spec
01				Mass	93.90 Kg
02				UPGRADE INDUSTRIAL PINNACLE	
03				90" X 6FT 3 RAIL	
04					
05					
06				Status	Designer Laurein Wylin
07				Status by	Date 23/03/2021

Free form- and
placetolerances conform
ISO 2768 m

DIN A3

Scale 1:20

UPGooA000009

THIS DRAWING AND THE RELATED INFORMATION IS AND REMAINS THE EXCLUSIVE PROPERTY OF BETAFENCE WITHOUT THE PRIOR WRITTEN CONSENT OF BETAFENCE. THIS DRAWING AND THE RELATED INFORMATION MAY NEITHER BE COPIED OR REPRODUCED, NOR COMMUNICATED IN ANY WAY TO A THIRD PARTY, NOR USED FOR MANUFACTURING OUTSIDE BETAFENCE EACH INFRINGEMENT OF THESE INTELLECTUAL PROPERTY RIGHTS OF BETAFENCE SHALL GIVE RISE TO LEGAL PROCEEDINGS.