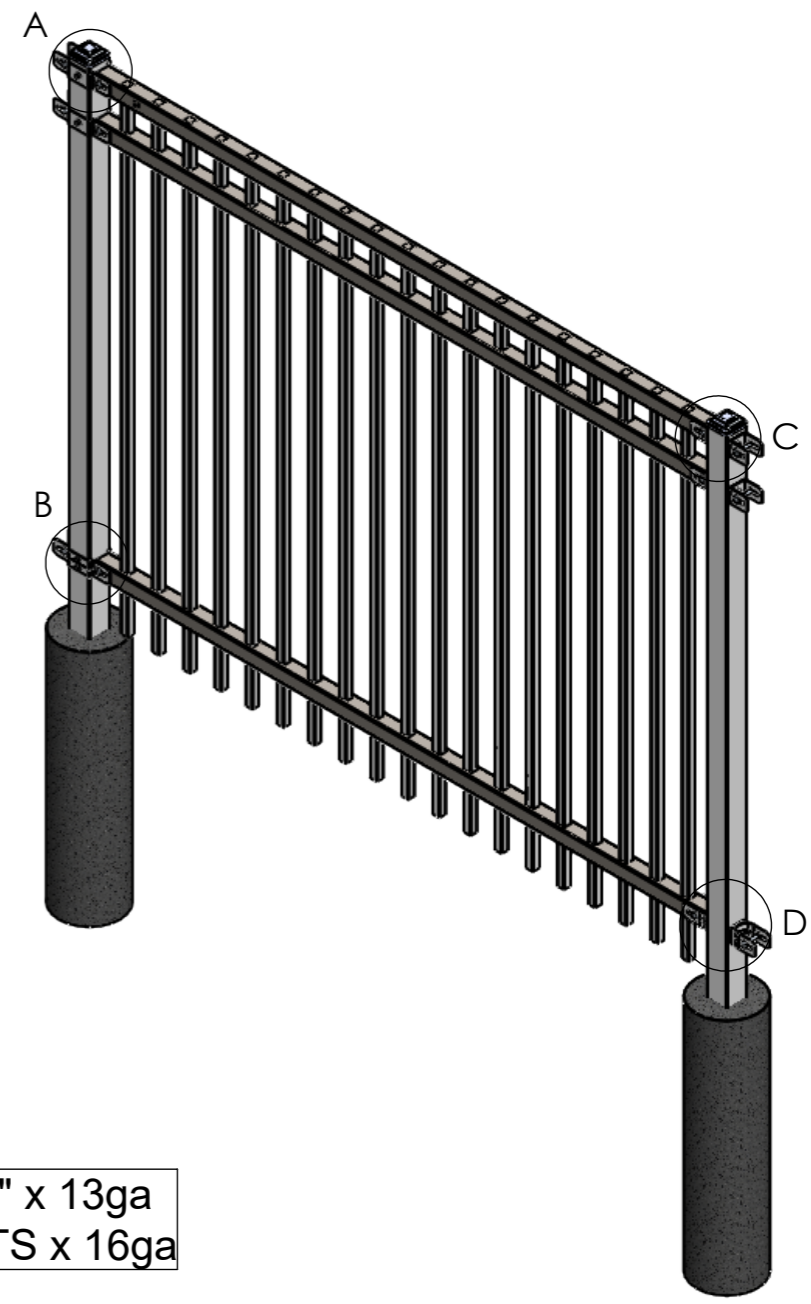


Center-center dim. X:

| Post section: | Post Length: |         |
|---------------|--------------|---------|
|               | 9ft          | 11ft    |
| 2,5" x 12GA   | 93 1/2"      | 93 1/2" |
| 2,5" x 14GA   | 93 1/2"      | 93 1/2" |
| 3" x 12GA     | 94"          | 94"     |



Rail: 2" x 2" x 13ga  
Picket: 1" TS x 16ga

**Option 1:**

- 2 x Line bracket
- 2 x self drilling screw
- 2 x bolt
- 2 x nut

**DETAIL A**  
SCALE 1 : 5

**Option 3:**

- 2 x Flat bracket
- 2 x self drilling screw
- 2 x bolt
- 2 x nut

**DETAIL C**  
SCALE 1 : 5

**Option 2:**

- 2 x All around bracket
- 4 x self drilling screw
- 2 x bolt
- 2 x nut

**DETAIL B**  
SCALE 1 : 5

**Option 4 (for corners):**

- 2 x Flat bracket swivel
- 2 x self drilling screw
- 2 x bolt
- 2 x nut

**DETAIL D**  
SCALE 1 : 5

| Rev                 | Date | Changed | By | Material  | Spec                          |
|---------------------|------|---------|----|---|-------------------------------|
| 01                  |      |         |    | Mass  | 96.68 Kg                      |
| 02                  |      |         |    | <b>UPGRADE INDUSTRIAL LANDMARK</b>                |                               |
| 03                  |      |         |    | 90" X 6FT 3 RAIL                                  |                               |
| 04                  |      |         |    |   |                               |
| 05                  |      |         |    |   |                               |
| 06                  |      |         |    | <b>Status</b>                                     | <b>Designer</b> Laurein Wylin |
| 07                  |      |         |    | <b>Status by</b>                                  | <b>Date</b> 23/03/2021        |
|                     |      |         |    | Free form- and placetolerances conform ISO 2768 m | DIN A3<br>Scale 1:20          |
| <b>UPGooA000007</b> |      |         |    |   |                               |

THIS DRAWING AND THE RELATED INFORMATION IS AND REMAINS THE EXCLUSIVE PROPERTY OF BETAFENCE WITHOUT THE PRIOR WRITTEN CONSENT OF BETAFENCE. THIS DRAWING AND THE RELATED INFORMATION MAY NEITHER BE COPIED OR REPRODUCED, NOR COMMUNICATED IN ANY WAY TO A THIRD PARTY, NOR USED FOR MANUFACTURING OUTSIDE BETAFENCE EACH INFRINGEMENT OF THESE INTELLECTUAL PROPERTY RIGHTS OF BETAFENCE SHALL GIVE RISE TO LEGAL PROCEEDINGS.