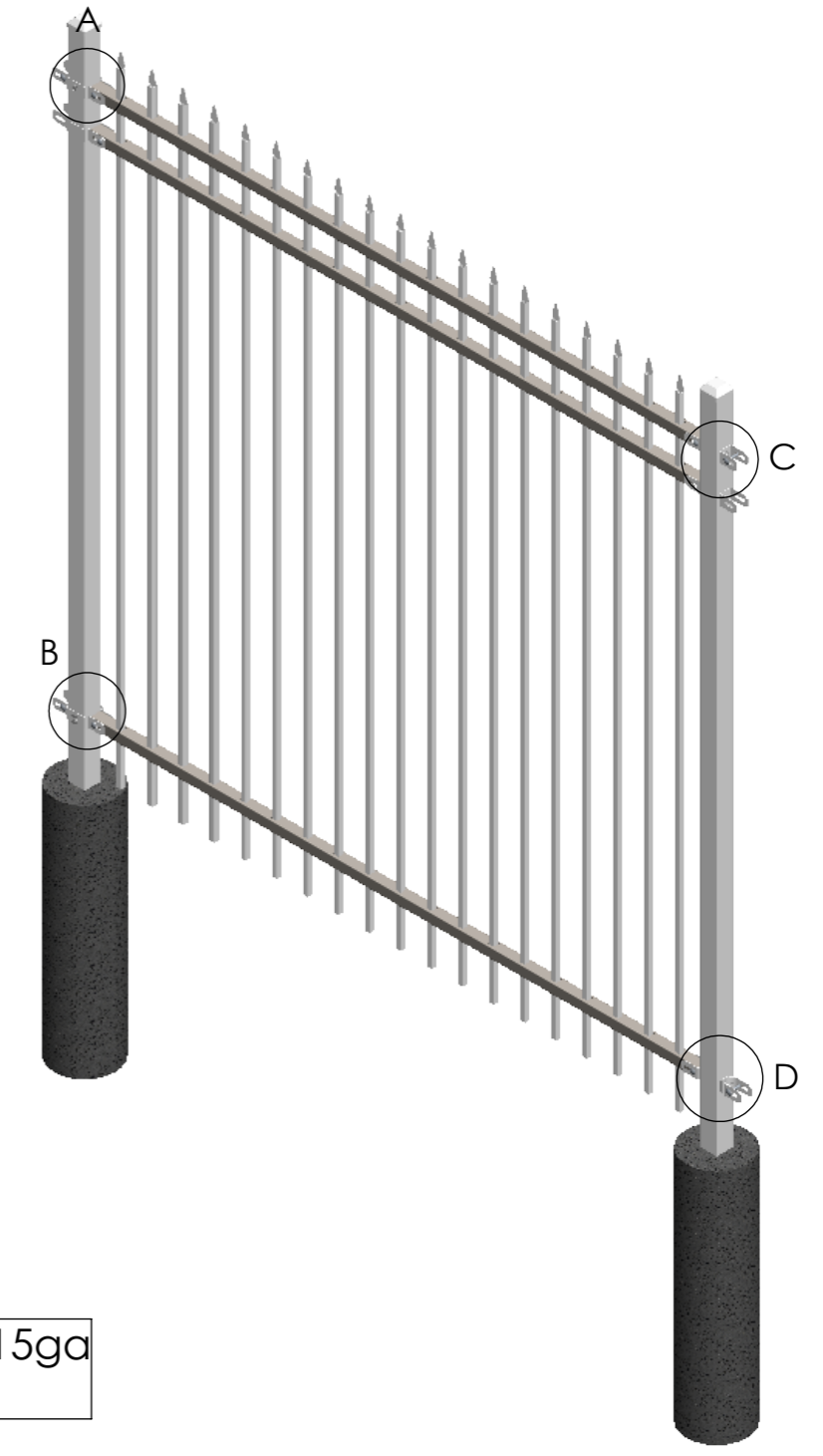
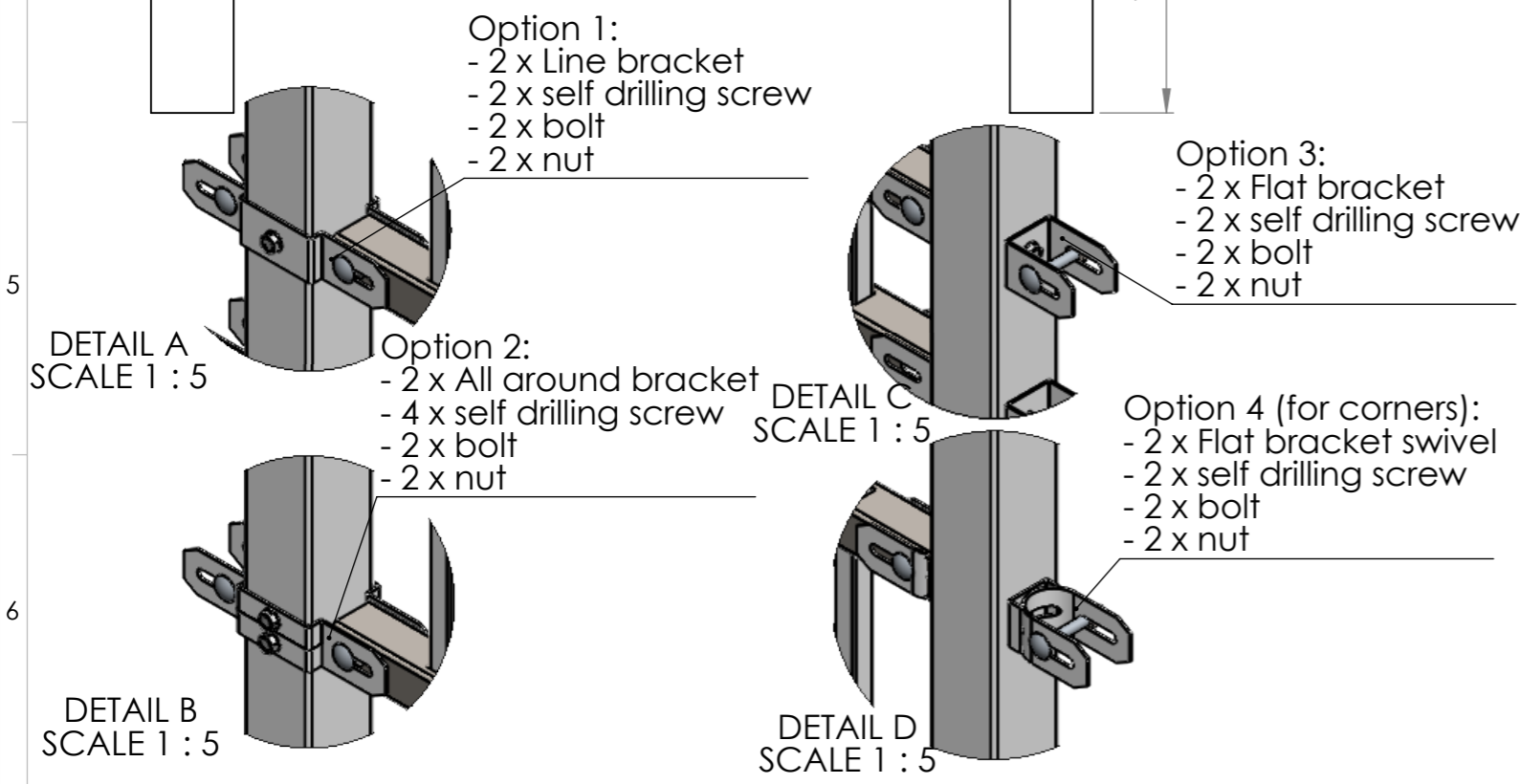


Center-center dim. X:

Post section:	Post Length:	
	9ft	11ft
2,5" x 12GA	93 1/2"	93 1/2"
2,5" x 14GA	93 1/2"	93 1/2"
3" x 12GA	94"	94"



Rail: 1" 1/2 x 1" 1/2 x 15ga
Picket: 3/4 TS x 16ga



Rev	Date	Changed	By	Material	Spec
01				Mass	76.68 Kg
02				UPGRADE COMMERCIAL PINNACLE	
03					
04					
05					
06				Status	Designer Laurein Wylin
07				Status by	Date 19/03/2021

90" X 8FT 3 RAIL

UPGooA000004

DIN A3
Scale 1:20

THIS DRAWING AND THE RELATED INFORMATION IS AND REMAINS THE EXCLUSIVE PROPERTY OF BETAFENCE WITHOUT THE PRIOR WRITTEN CONSENT OF BETAFENCE. THIS DRAWING AND THE RELATED INFORMATION MAY NEITHER BE COPIED OR REPRODUCED, NOR COMMUNICATED IN ANY WAY TO A THIRD PARTY, NOR USED FOR MANUFACTURING OUTSIDE BETAFENCE EACH INFRINGEMENT OF THESE INTELLECTUAL PROPERTY RIGHTS OF BETAFENCE SHALL GIVE RISE TO LEGAL PROCEEDINGS.