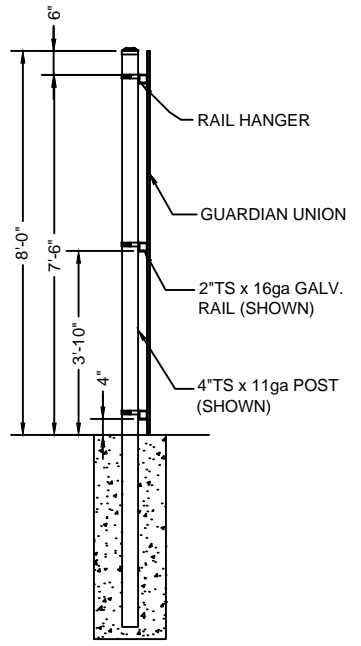
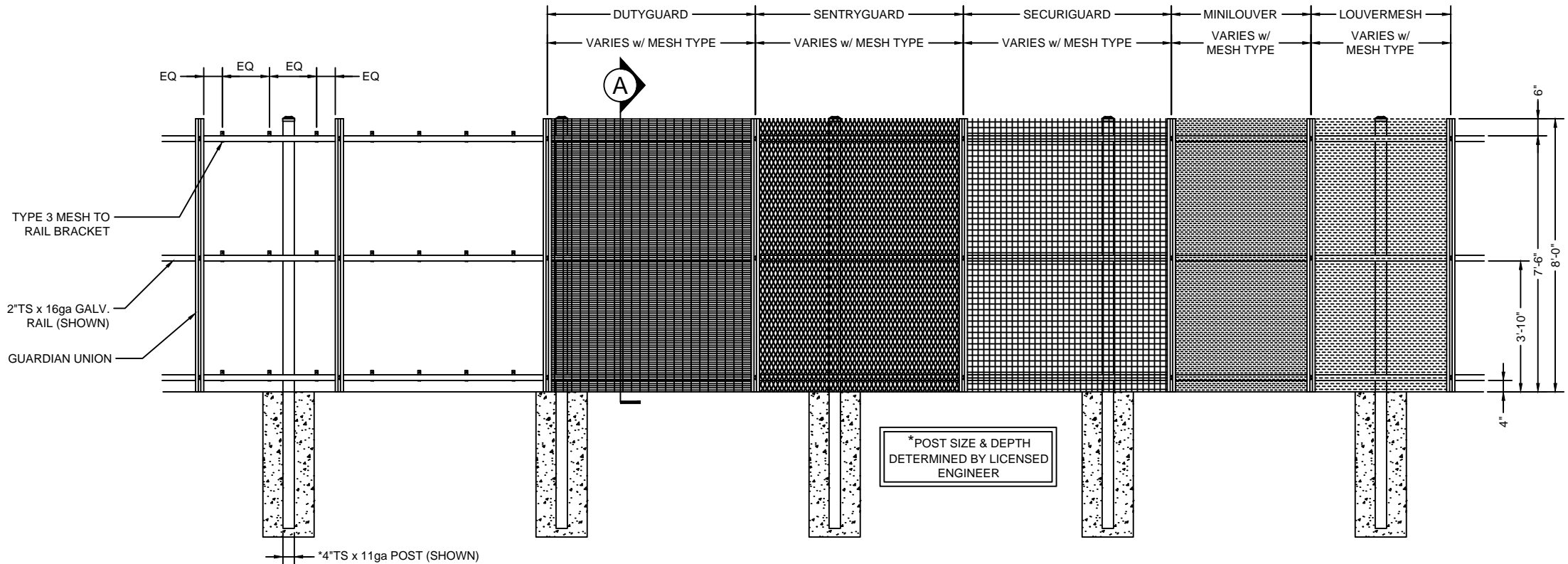


2 STANDARD GUARDIAN PLAN
SCALE: NTS



A STANDARD GUARDIAN SECTION
SCALE: NTS



1 STANDARD GUARDIAN ELEVATION
SCALE: NTS

*POST SIZE & DEPTH
DETERMINED BY LICENSED
ENGINEER

B BETA FENCE USA

Main: 972-878-7000 Fax: 214-877-4552
3309 S. I-45 ENNIS, TX 75119
www.BetafenceUSA.com

STANDARD GUARDIAN
ELEVATION

VIEW:	MULTI
SCALE:	NTS
DRAWN BY:	XXXX
CHECKED BY:	XXXX
APPROVED BY:	XXXX
DATE:	XX-XXX-XX
FILE:	Std Guardian.dwg

REV	DATE	DRAFTER

SHEET
1
OF 2

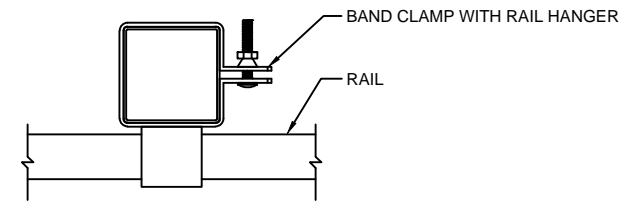
DOCUMENT PURPOSE:
THIS DOCUMENT IS INTENDED TO SHOW VARIOUS TYPICAL CONFIGURATIONS OF THE GUARDIAN FENCE SYSTEM. THE SYSTEM IS MODULAR IN NATURE AND ALLOWS SECURITY DESIGNERS TO ADAPT THE SYSTEM TO THE VARYING NEEDS OF SECURITY PROJECTS. THE SYSTEM CAN BE CUSTOMIZED IN MANY DIFFERENT WAYS. PLEASE CONSULT WITH US ON CONFIGURATIONS TO MATCH YOUR PROJECT CRITERIA.

COPYRIGHT PAYNE
2010PATENT PENDING

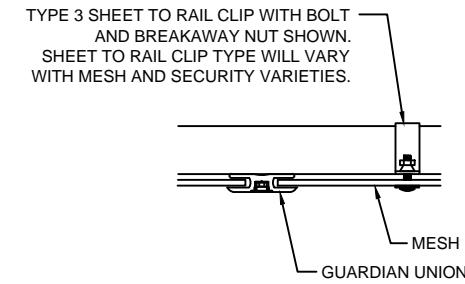
DETAILS

PROJECT NAME :	SALES ORDER
CUSTOMER :	STORE #

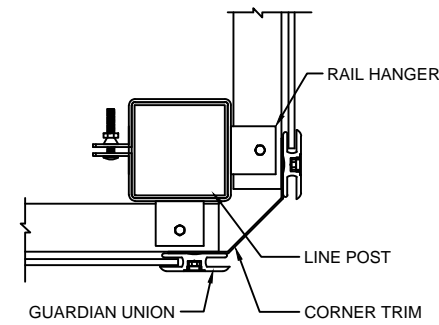
VIEW:	MULTI	
SCALE:	NTS	
DRAWN BY:	XXXX	
CHECKED BY:	XXXX	
APPROVED BY:	XXXX	
DATE:	XX-XXX-XX	
FILE:	Std Guardian.dwg	
REV	DATE	DRAFTER



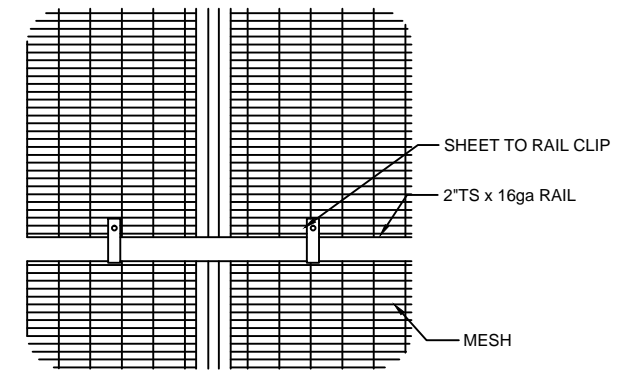
4 POST TO RAIL CONNECTION
SCALE: NTS



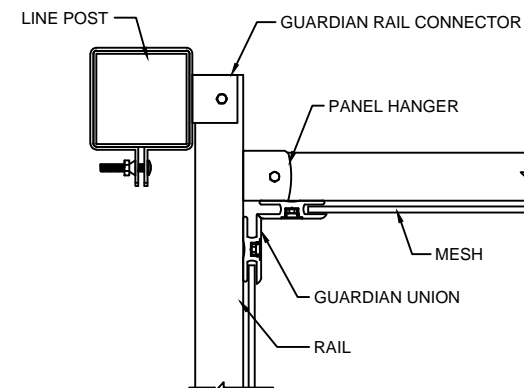
3 UNION CONNECTION
SCALE: NTS



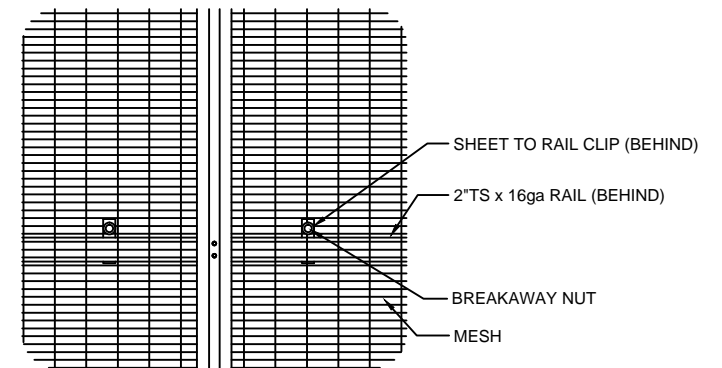
6 OUTSIDE CORNER DETAIL
SCALE: NTS



2 MESH DETAIL-BACK VIEW
SCALE: NTS



5 INSIDE CORNER DETAIL
SCALE: NTS



1 MESH DETAIL-FRONT VIEW
SCALE: NTS

DOCUMENT PURPOSE:

THIS DOCUMENT IS INTENDED TO SHOW VARIOUS TYPICAL CONFIGURATIONS OF THE GUARDIAN FENCE SYSTEM. THE SYSTEM IS MODULAR IN NATURE AND ALLOWS SECURITY DESIGNERS TO ADAPT THE SYSTEM TO THE VARYING NEEDS OF SECURITY PROJECTS. THE SYSTEM CAN BE CUSTOMIZED IN MANY DIFFERENT WAYS. PLEASE CONSULT WITH US ON CONFIGURATIONS TO MATCH YOUR PROJECT CRITERIA.