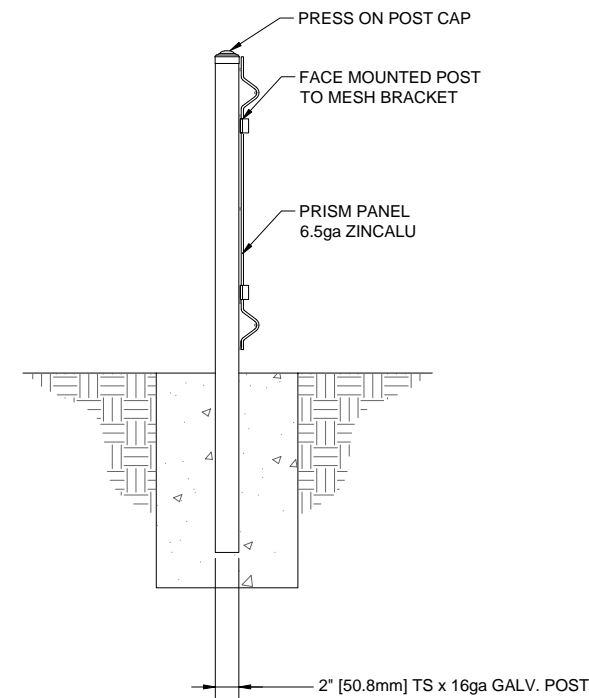
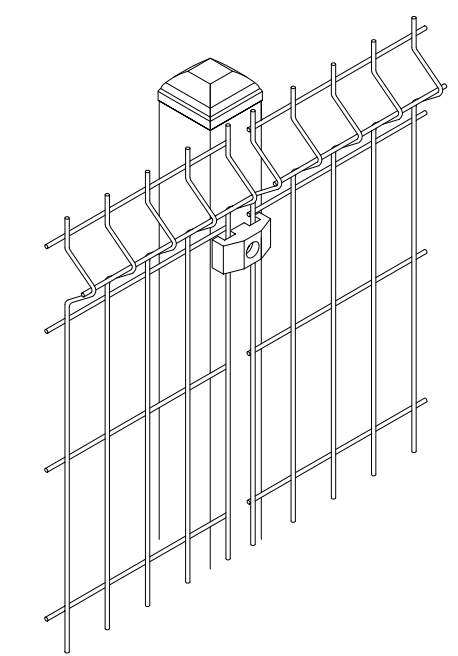


POWDER COAT SEMI-GLOSS BLACK

**1** 8'W x 2'H PANEL ELEVATION  
SCALE: NTS



**A** 8'W x 2'H PANEL SECTION  
SCALE: NTS



**BETAFENCE USA**  
 MANUFACTURED BY PAYNE  
 Main: 972-878-7000 Fax: 972-878-4703  
 3309 S. I-45 ENNIS, TX 75119  
 www.BetafenceUSA.com

8'W x 2'H STANDARD PRISM PANEL TYPICAL ELEVATION

PROJECT NAME:	SALES ORDER	SOXXXXX
CITY, STATE	STORE #	XXXX
CUSTOMER NAME		
CUSTOMER:		

VIEW:	MULTI	
SCALE:	NTS	
DRAWN BY:	JGS	
CHECKED BY:		
APPROVED BY:		
DATE:	22-MAR-10	
FILE:	8'W x 2'H Prism.dwg	
REV	DATE	DRAFTER
1	09-APR-10	JGS

SHEET  
**1**  
 OF 1