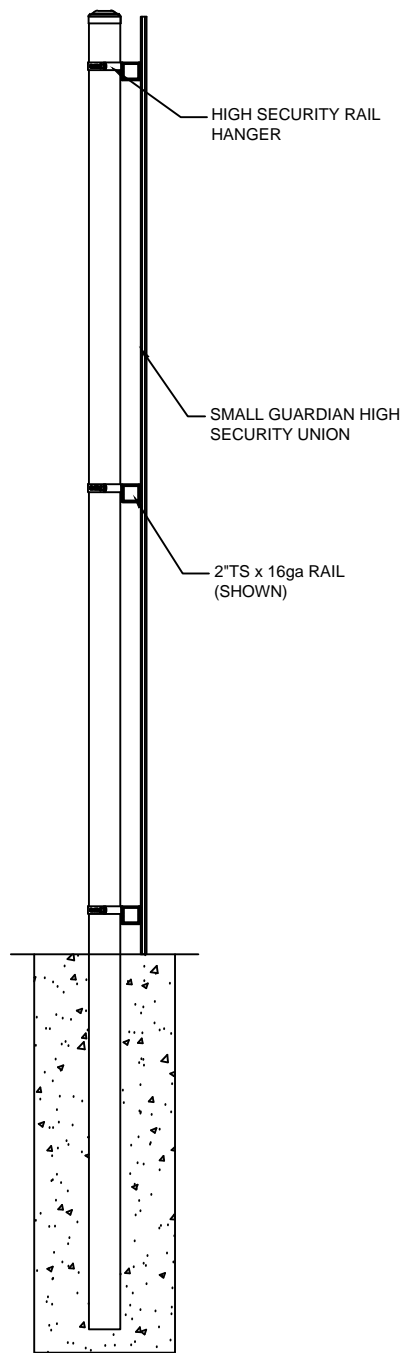
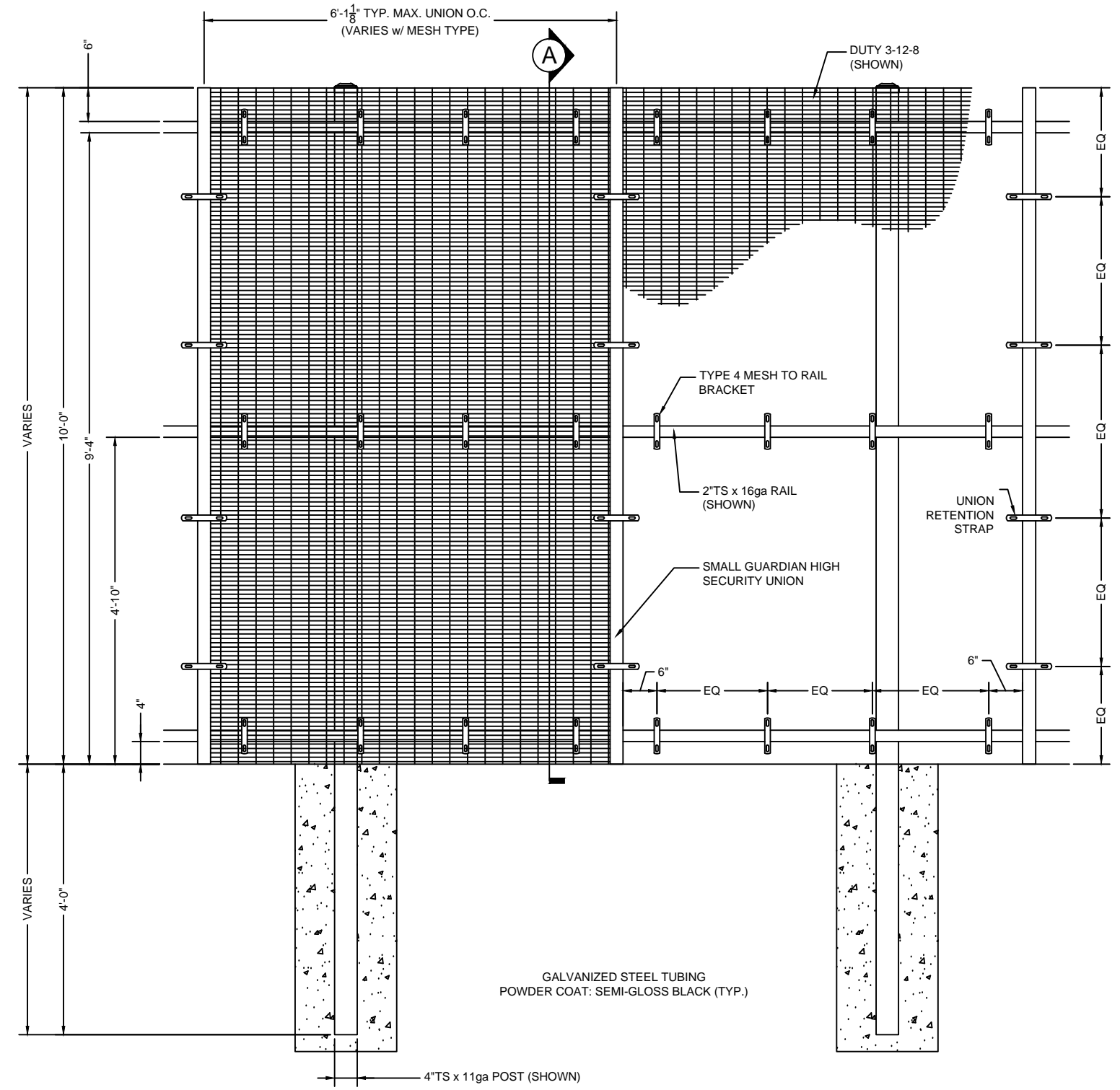


2 GUARDIAN 5000-PC PLAN
SCALE: NTS



A GUARDIAN 5000-PC SECTION
SCALE: NTS



1 GUARDIAN 5000-PC ELEVATION
SCALE: NTS

BETA FENCE USA

Main: 972-878-7000 Fax: 214-877-4552
3309 S. I-45 ENNIS, TX 75119
www.BetafenceUSA.com

GUARDIAN 5000-PC

PROJECT NAME :	SALES ORDER
CUSTOMER :	STORE #

VIEW:	MULTI	
SCALE:	NTS	
DRAWN BY:	XXXX	
CHECKED BY:	XXXX	
APPROVED BY:	XXXX	
DATE:	XX-XXX-XX	
FILE:	Guardian5000-PC.dwg	
REV	DATE	DRAFTER

SHEET
1
OF 1